



POWER SUPPLY
OVERVOLTAGE PROTECTION
THERMAL PROTECTION

BOX :

- IP55
- IK07 shocks holding
- Easy wiring
- Mounted PG
- Fixation screws including
- Installation manual included

TECHNICAL FEATURES :

- 230 VAC - 50/60 Hz power supply
- 24Vdc transformer (<30Vdc comply with the legislation)
- On/off button
- LED indicator motor On
- Overintensity protection use
- Overvoltage protection
- Automatical reloadable thermal cut-out
- Working temperature : 0° to + 50°C
- Storage temperature : -20°C to +60°C
- Relative hygrometry up to 95%

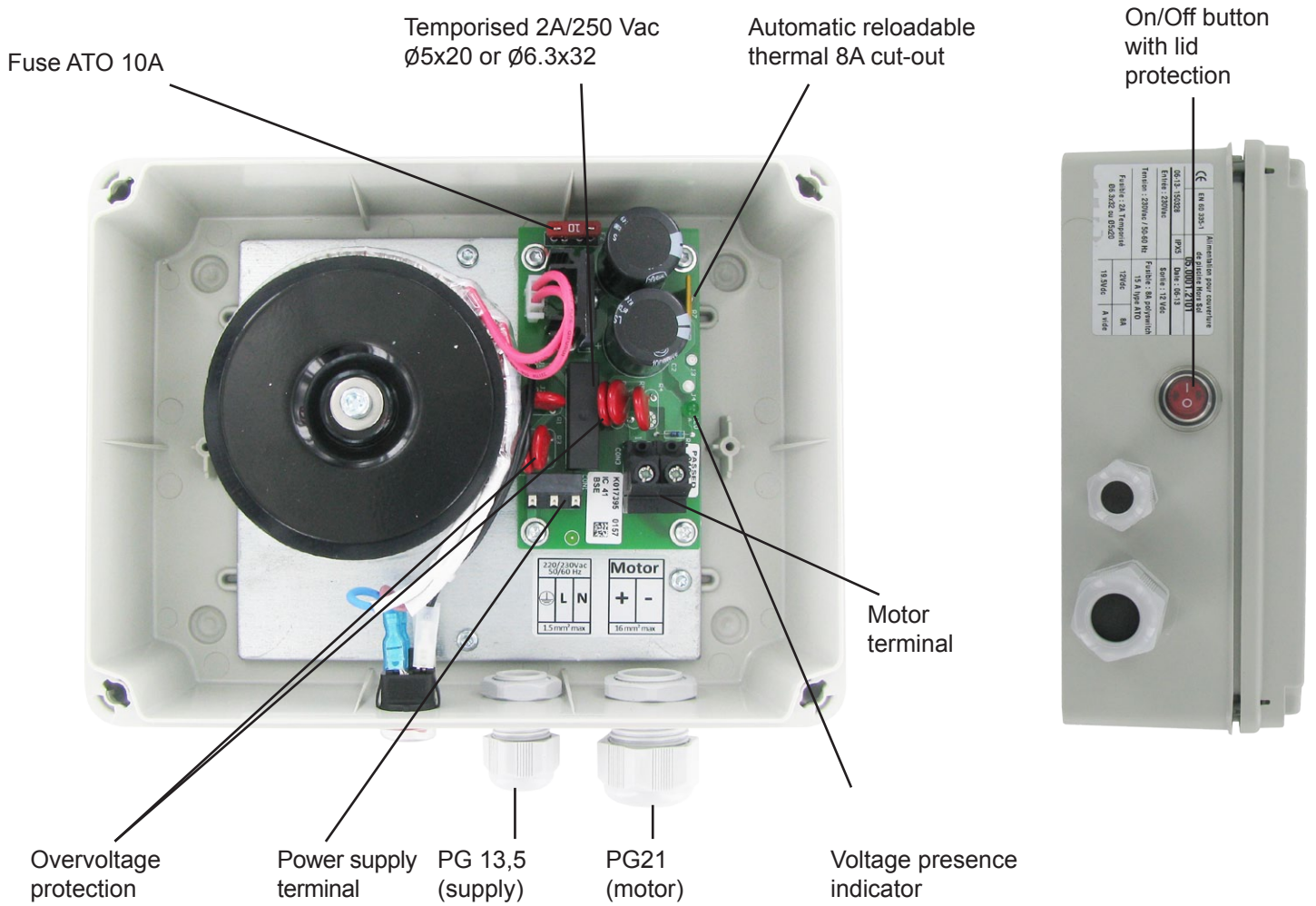
COMPLY WITH STANDARDS :

Attempt	Standard rules
Discharge Immunity to ESD	EN 61000-4-2
Immunity to radiated electrostatic fields, level 3	EN 61000-4-3
Immunity to fast transients (burst immunity), level 3	EN 61000-4-4
Immunity to shock waves	EN 61000-4-5
Radio frequency in common mode	EN 61000-4-6
Conducted emissions	EN 55014-1
Electrical safety	EN 60335-1

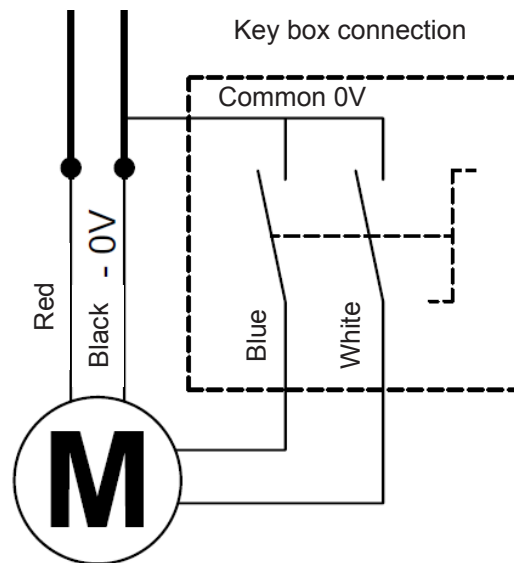
These standards comply with the French rules of the NPF 90308 standards



CARD DETAILS



ELECTRIC WIRING



The box must be connected to

- a RCD : residual current devices (30mA)
- a built-in installation has a multipolar connection with a 3mm contact breaker

Before maintenance, be sure the box is power off.