



**FOR SLIDING GATES UNTIL 2000 KG
REVERSIBLE GEAR MOTOR
AUTOMATIC UNLOCKING BRAKE
OUTPUT SHAFT ACCORDING TO SPECIFICATIONS**

TECHNICAL FEATURES :

- Asynchronous motor
- Without maintenance
- Thermal cut-out
- 2 directions of rotation
- Single phase with capacitor
- Inrush of current brake : 24V or 230V with diode rectifier
- Class F insulation
- IP44 protection
- Working temperature : -20°C to 85°C
- Relative hygrometry until 95%

OPTIONS AVAILABLE ON DEMAND :

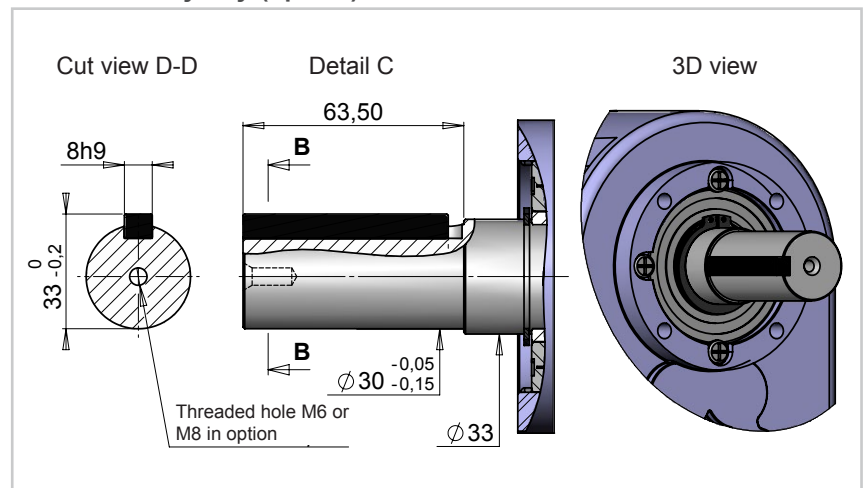
- Three phase or direct current
- Output shaft according to specifications
- Specific speed
- Lack of current brake
- Rev-counter card
- Terminal box
- Fastening point accord to specifications
- Fastening spacers

COMPLY WITH STANDARDS :

- EN 60335-1
- EN 60034-1

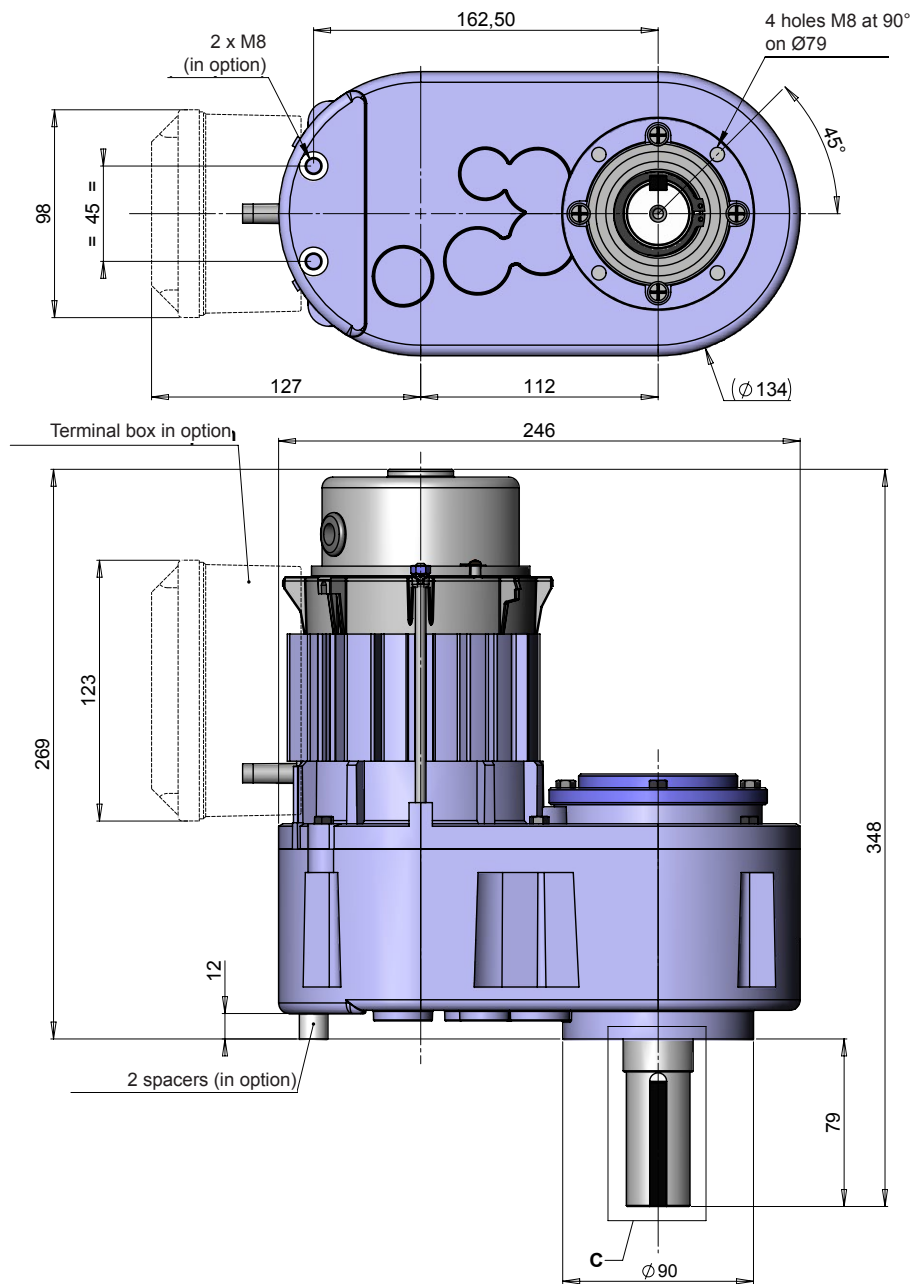


Shaft with keyway (option)





DIMENSIONS



TECHNICAL FEATURES

Type & Designation of Gear motor	Voltage / Frequency	Input power (watt)	Torque motor ⁽¹⁾	Nominal speed (RPM)	Capacitor (μ F)	Startup torque (Nm)	Intensity under 230V (A)	Service class	Gearbox ratio	Gearbox speed (RPM)	Max torque (Nm) ⁽²⁾	Nominal Torque (Nm)
P2000 / R1C250P	230V/50Hz	560	non	2800	16	0,53	2,5	S3 : 30% cycle of 6 min	1/86	32	58	36 ⁽³⁾

(1) : a torque motor can support a mechanical blocking without excessive warming

(2) : occasionally acceptable torque

(3) : do not exceed this torque in continuous working (high-powered motor)