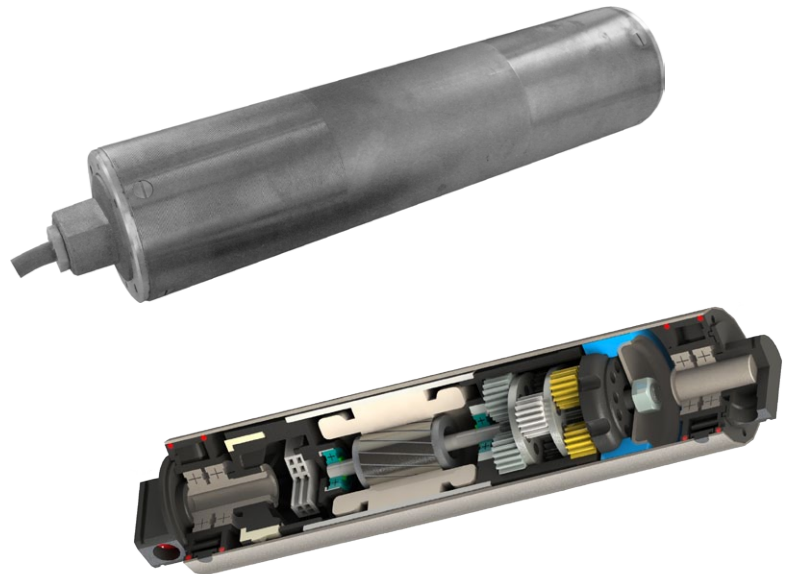




HIGH INDUSTRY VERSION : STEEL GEARBOX, ALUMINIUM FLANGES
MAXIMUM LOAD UNTIL 137 KG
2 TYPES OF MOTORIZATION : STANDARD AND COLD
SINGLE AND THREE PHASE MOTORS

TECHNICAL FEATURES :

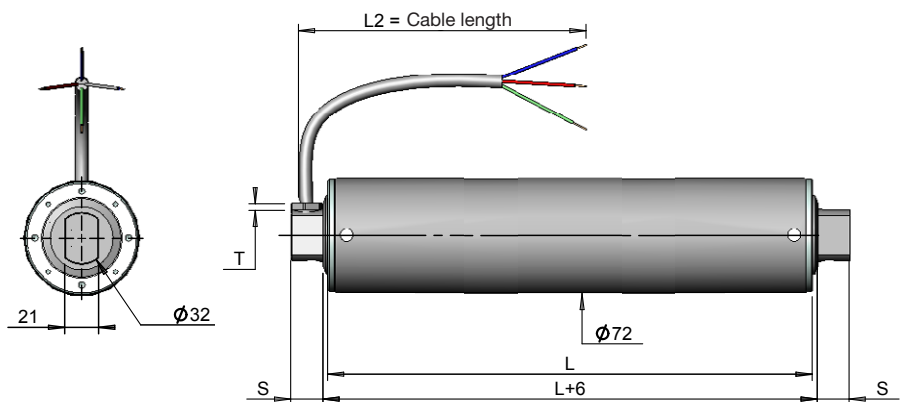
- Asynchronous motor
- Permanently lubricated
- Thermal cut-out
- Aluminium end fitting
- Zinc plated cylindrical tube
- Working with frequency convertor under 230V only
- Class F insulation
- IP44 protection
- S3 or S1 service class
- Working temperature : -10°C to +40°C


OPTIONS AVAILABLE ON DEMAND :

- Specific coating
- Drum length
- Cable length
- Voltages and frequencies on request
- Brake
- Specific connectors and end fittings

COMPLY WITH STANDARDS :

- EN 60335-1
- EN 60034-1





Ø and Type	Output power (W)	Linear speed		Gearbox ratio	Torque (Nm)	Maximum load (kg)	Tractive effort (N)	Available tube length (mm)	Service class*	Intensity Capacitor (µF)	Intensity and Voltage	
		m/s	m/min								Single phase	Three phase
Ø72 STANDARD VERSION	Motors 25 W / 230V - 50Hz											
	20W	0,04	2,6	1/216	17,7	114	491	from 250 to 1000	S3 50% of 6s	0,23A 2 µF (CM2 Type)	0,18A under 230V	
		0,06	3,7	1/152	12,5	81	347				0,45A under 400V (CT2 Type)	
		0,07	4,2	1/135	11,1	71	307					

STANDARD VERSION

Drum motors are particularly well adapted for the belt conveyors :

- Steel planetary gear
- Belt always centered thanks to a specific machining

* Reduce the load of 50% if the drum motor is used in service class S1 instead of S3

Ø and Type	Output power (W)	Linear speed		Gearbox ratio	Torque (Nm)	Maximum load (kg)	Tractive effort (N)	Available tube length (mm)	Service class*	Intensity Capacitor (µF)	Intensity and Voltage	
		m/s	m/min								Single phase	Three phase
Ø72 COLD VERSION	Motors 30 W / 230V - 50Hz											
	30W	0,09	5,3	1/107	10,6	68	294	300 350 400 450 500 600 800 1000 >1000 on request	S3	0,26A under 230V 0,15A under 400V (Cold BT2 Type)		
		0,10	6,0	1/95	9,4	60	260					
		0,11	6,7	1/84	8,3	54	230					
		0,12	7,4	1/76	7,5	48	207					
		0,14	8,4	1/67	6,6	43	184					
		0,16	9,4	1/60	5,9	38	163					
		0,18	10,7	1/53	5,2	33	144					
		0,26	15,7	1/36	3,7	24	103					
		0,37	22,6	1/25	2,6	17	73					
		0,52	31,4	1/18	2,0	13	54					
		0,59	35,3	1/16	1,7	11	48					
		0,67	40,4	1/14	1,5	10	42					

COLD VERSION

- Is recommended for high temperature environments
- Is recommended for the conveying of temperature sensitive products (food industry, ...)
- Is compulsory if the tube has got a coating

The indicated values are given for a 2 meters long conveyor. Without LOAD