



FOR DISPLAY UNTIL 12M²
ASYNCHRONOUS MOTOR
INTENSIVE USING

TECHNICAL FEATURES :

- 2 three phase asynchronous motors 4 poles 230Vac
- Steel cylindrical tube
- Power 200W
- Speed : 1200 RPM
- Electronic speed variator to drive the motors (5 to 15hz)
- Stop position is maintained by a power failure brake
- Permanently lubricated
- Lifespan : 10 000 hours
- Thermal cut-out 155°C
- Class F insulation
- IP44 protection
- S3 service class
- Three phase version (FT4)
- Working temperature : -20°C to +85°C

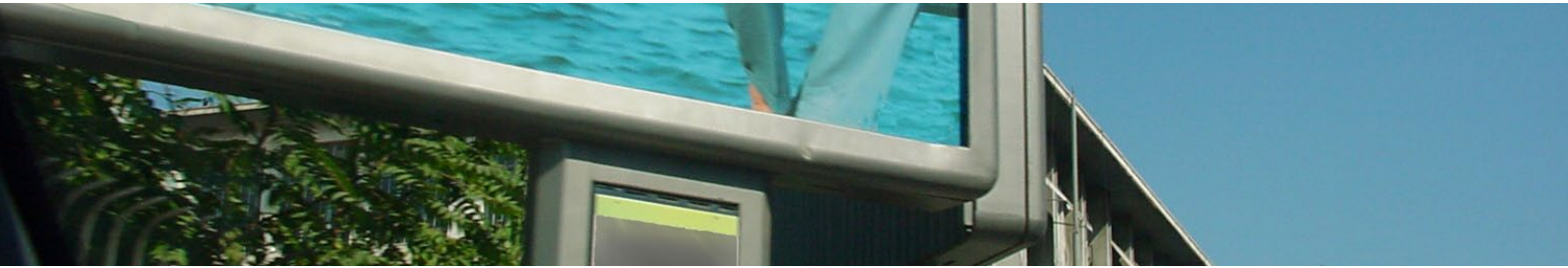


OPTIONS AVAILABLE ON DEMAND :

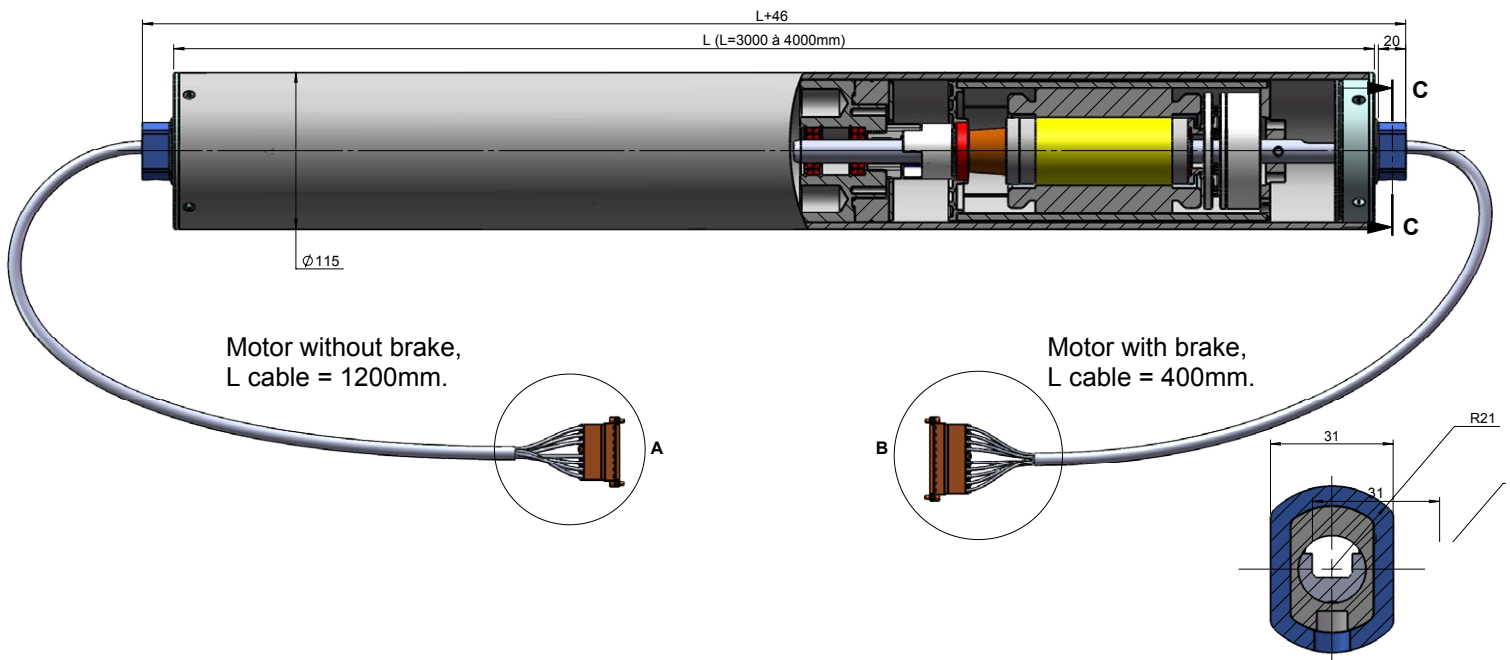
- Tube length
- Cable length
- Connector
- End caps
- Voltages and frequencies

COMPLY WITH STANDARDS :

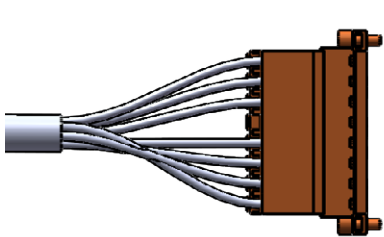
- EN 60335-1
- EN 60034-1



DIMENSIONS



ELECTRICAL WIRING



Connector Weidmueller 8 poles SLZF 5.08/8/180B OR	
Purple	Protecteur thermique
Purple	Protecteur thermique
Drain int.	Continuité du blindage
N/A	
Brown	U
Black	V
Blue	W
G/Y + drain ext	Ground + shield

Connector Weidmueller 10 poles SLZF 5.08/10/180B OR	
G/Y + drain ext	Ground + shield
Blue	U
Black	V
Brown	W
N/A	
Drain intérieur	
Purple	Thermal protector
Purple	
Red	Brake 24Vdc
Gris	

