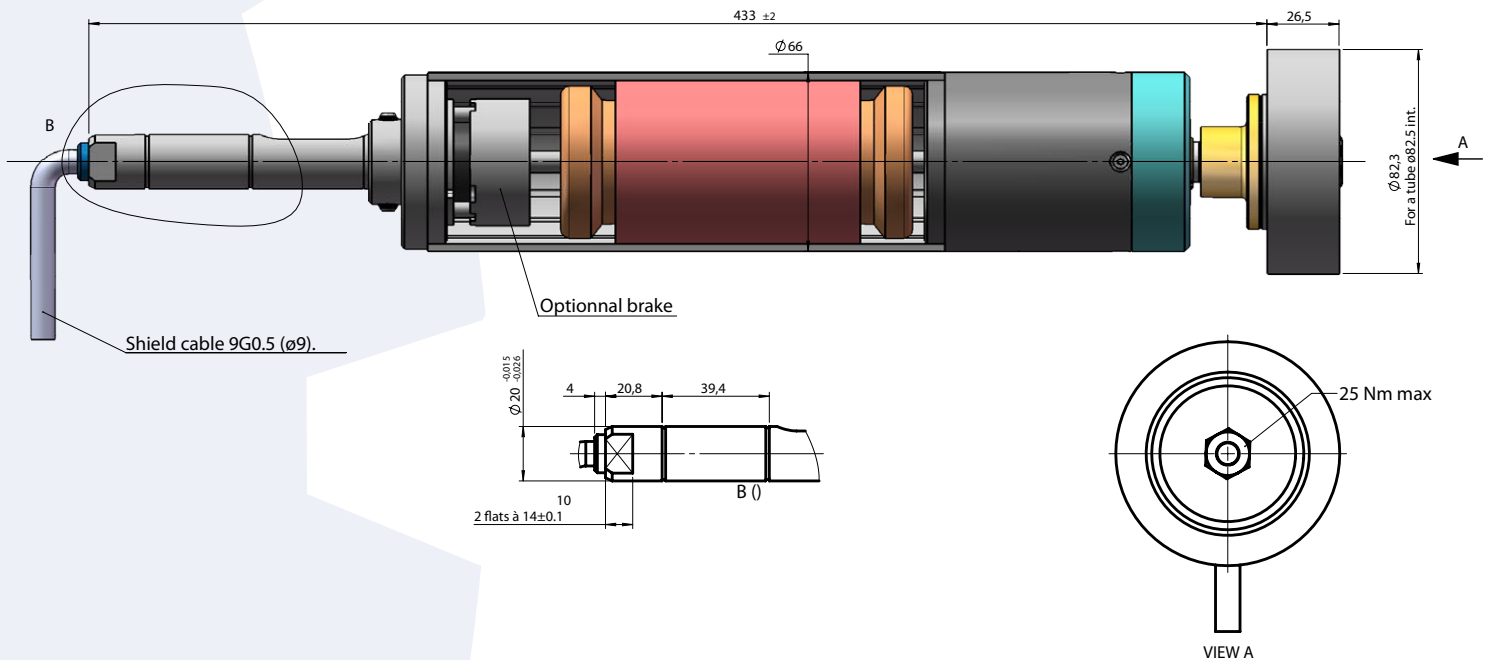




**MOTOR-CARTRIDGES FOR A TUBE WITH Ø82,5 INTERIOR**  
**ASYNCHRONOUS 50W THREE PHASE MOTORIZATION WITH OR WITHOUT BRAKE**  
**DIFFERENT GEARBOX RATIOS AVAILABLE**



## FEATURES (according to CEI 60034-1)

- 2 poles asynchronous three phase motor
- Voltage : 230/400Vac - 50hz
- Nominal power : 50W for 2500 RPM
- Intensity under 230Vac : 0,45A
- Intensity under 400Vac : 0,26A
- S1 service class
- 155°C thermal cut-out
- Gearbox ratios : 1/135, 1/107, 1/95, 1/84, 1/76, 1/67, 1/53

## USING CONDITIONS :

- Converter connection only under 230V
- S1 service class
- Imperative thermal cut-out connection (warranty condition)

## ELECTRICAL CONNECTIONS

