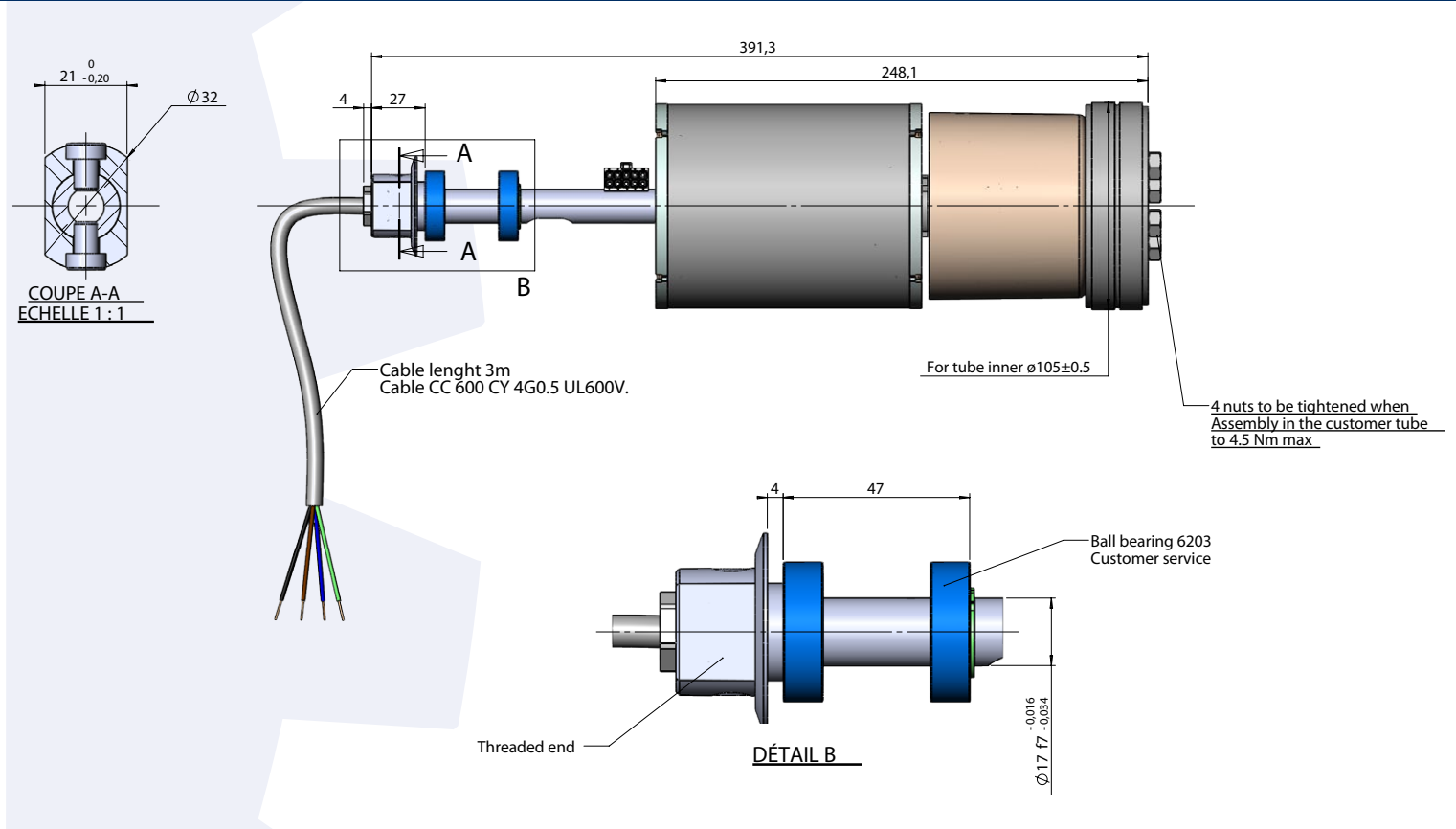




**MOTOR-CARTRIDGES FOR A TUBE WITH Ø105 INTERIOR**  
**THREE PHASE MOTORIZATION**  
**S3 SERVICE CLASS**



**FEATURES (according to CEI 60034-1)**

- 2 poles asynchronous three phase motor
- Voltage : 230Vac - 50hz
- Nominal power : 180W
- Intensity under 230Vac : 1,4A
- Gearbox ratio 1/41
- Nominal torque 47Nm
- Speed : 28 RPM
- Service class : S3-10%

**ELECTRICAL CONNECTIONS**

Rep. câble	Rep. molex	Fils moteur
1	2	Brun
2	9	Rouge
3	7	Gris
V/J	3	V/J

