



REVERSIBLE GEARBOX WITH PARALLEL GEARS

ASYNCHRONOUS MOTOR

HOLLOW OR SOLID SHAFT

APPLICATIONS :

- Automatic gate
- Agitator
- Retractable bollards

TECHNICAL FEATURES :

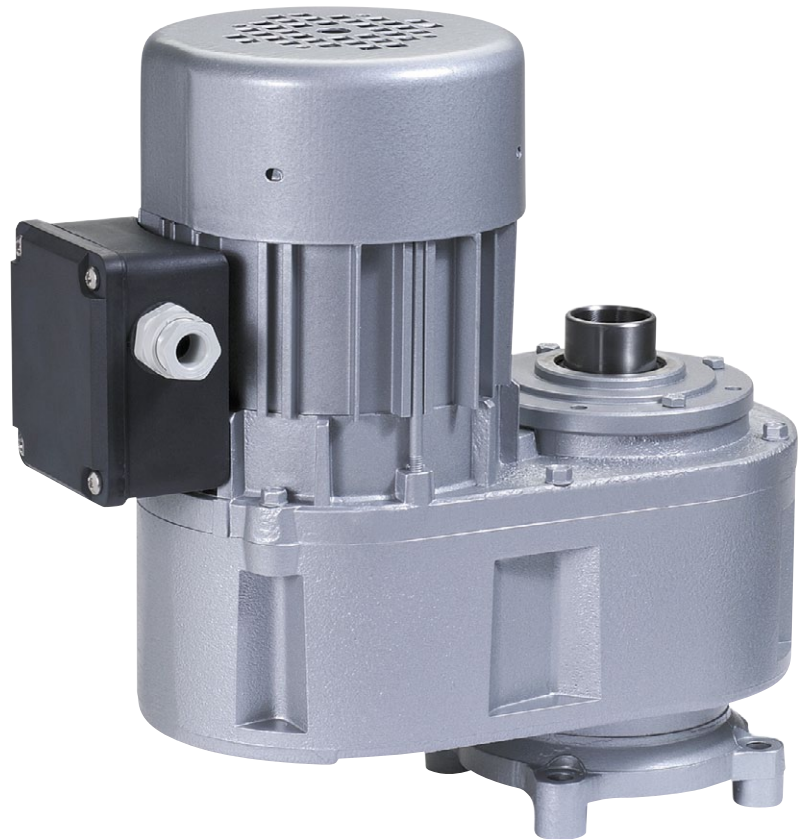
- Asynchronous motor
- Greased lubricated
- Solid or hollow shaft
- Thermal cut out
- 2 direction of rotation
- Class B insulation
- IP44 protection
- S1 service class
- Working Temperature : -20°C to +85°C

OPTIONS AVAILABLE ON DEMAND :

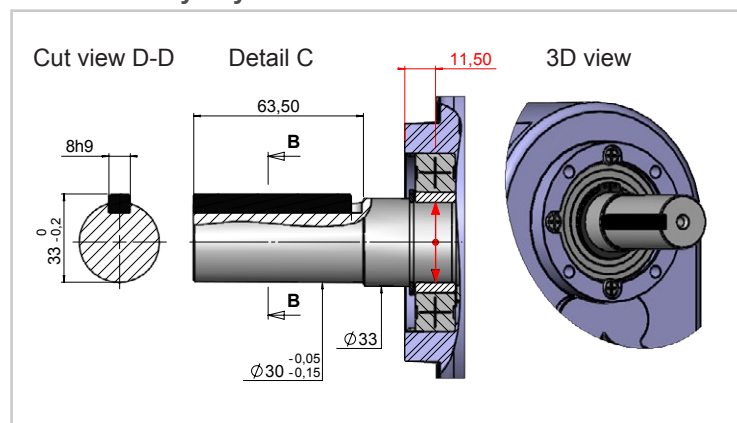
- Inrush or lack of current brake (24V or 230V with diode rectifier) with or without manual unlocking
- Voltages and frequencies on request
- Class F insulation
- IP55 protection
- Output shaft according to specifications

COMPLY WITH STANDARDS :

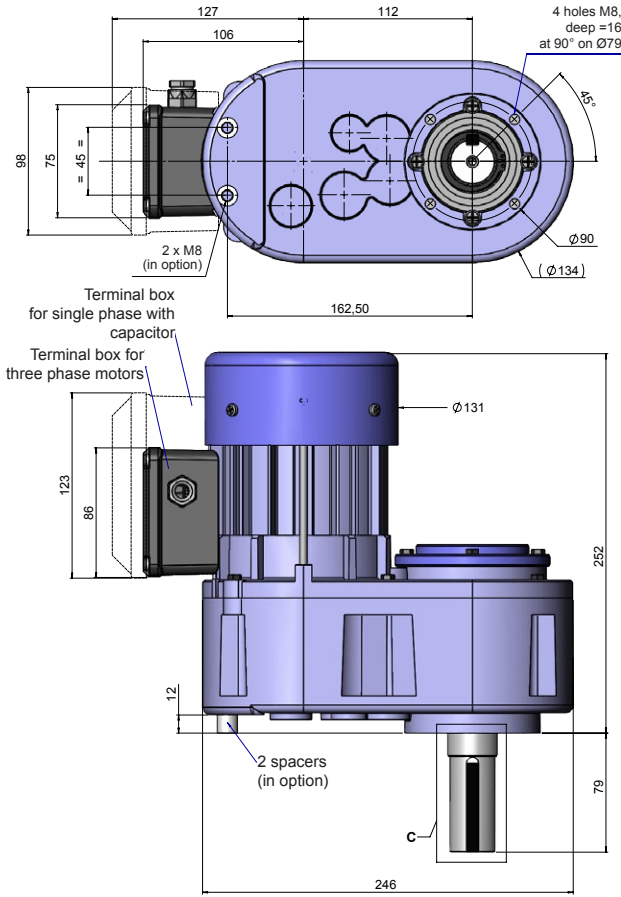
- EN 60335-1
- EN 60034-1



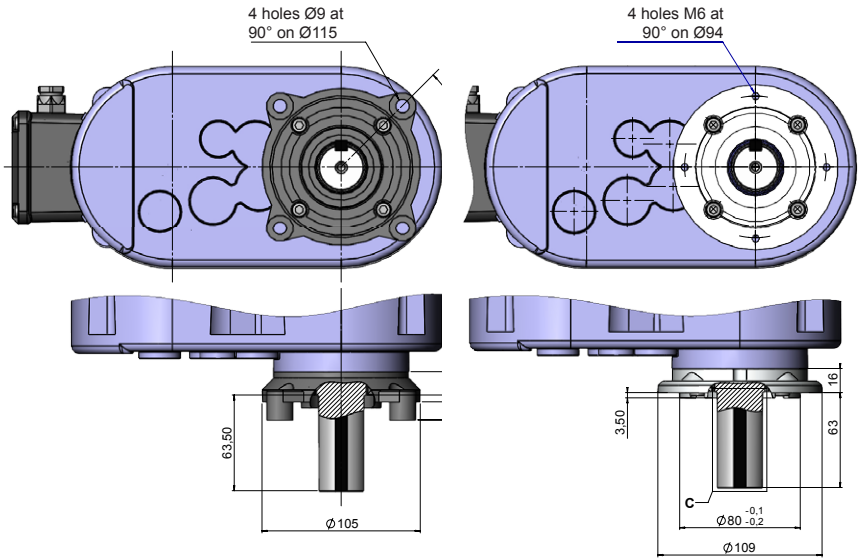
Shaft with keyway



DIMENSIONS



MOUNTING P0



MOUNTING P5

MOUNTING P2

TECHNICAL FEATURES

Designation and Motor Type		GEARBOX						MOTOR									Weight (kg)
		Gearbox speed (RPM)	Nominal torque (Nm)	Startup torque (Nm)	Maximum radial load* (N)	Maximum axial load (N)	Gearbox ratio	Output power (watts)	Motor torque (Ncm)	Motor speed (RPM)	Current under 230v (A)	Ia/In	Cd/Cn	Cos φ	Service class	Capacitor (µF)	
Single phase versions	R1C 250 P B	23	85	57	1750	950	1/120	220	76	2750	1,67	1,84	0,67	0,85	S1	12	10
	R1C 250 P B	32	62	42	1600	820	1/86	220	76	2750	1,67	1,84	0,67	0,85	S1	12	10
Three phases versions	R3 250 P B	23	85	213	1750	950	1/120	220	76	2750	0,9	4,2	2,5	0,86	S1	-	10
	R3 250 P B	32	62	155	1600	820	1/86	220	76	2750	0,9	4,2	2,5	0,86	S1	-	10

* : applied on the bearings (see detail on C shaft)

Other speeds on request