



PBL - K TYPE

APPLICATIONS

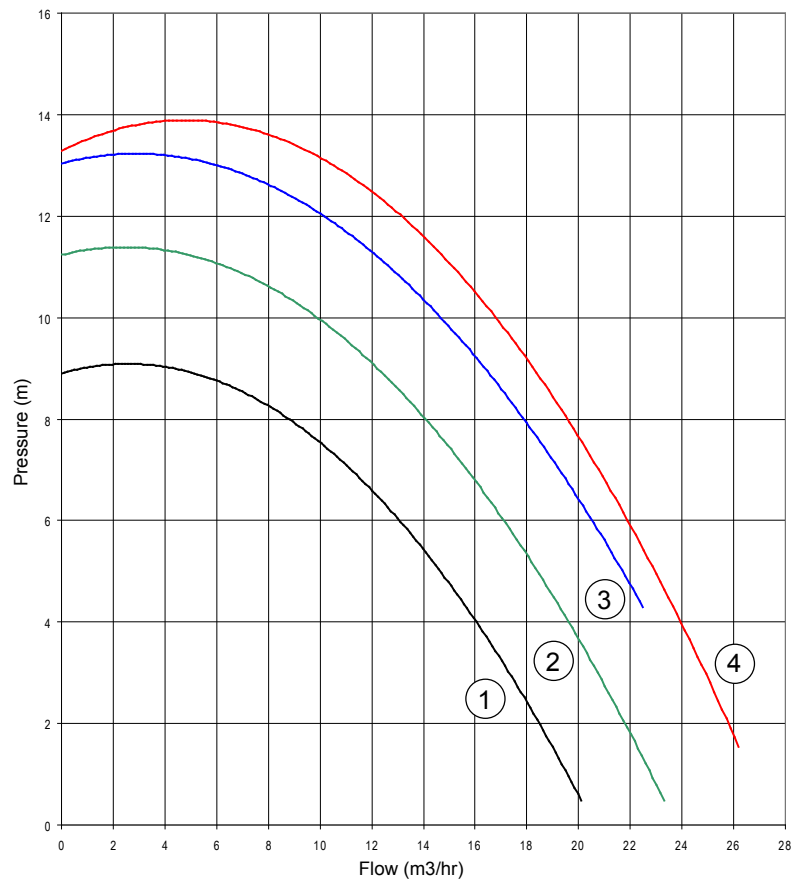
- Hydromassage pump for spas
- Hydromassage pump for whirlpool steps
- Filtration pump for in ground and above ground swimming-pools

TECHNICAL FEATURES

- Pump body in polypropylene
- Anodized aluminium flange
- Specific swimming-pool bearings
- 3 drain plug positions
- Hostaform impeller
- Electrolyser compatible
- Union fittings Inlet/Outlet 2"1/4 standard on pipe Ø50mm ext. to be stuck
- Tropical atmosphere compatible



• BAUART
GEPRÜFT
• TYPE
APPROVED



Curves	Single phase type 230 V - 50 Hz	P1 Watt	Watt	HP	H [m] (m ³ /h)				Inlet	Outlet
					12	10	8	6		
1	PBL 1C 250 K4B	560	305	0,4	*	*	9	13	2"1/4*	2"1/4*
2	PBL 1C 270 K4B	900	730	1	*	10	14	17		
3	PBL 1C 285 K4B	1150	975	1,3	10	15	18	21		
4	PBL 1C 80 K1B	1350	1200	1,6	13	17	19	22		



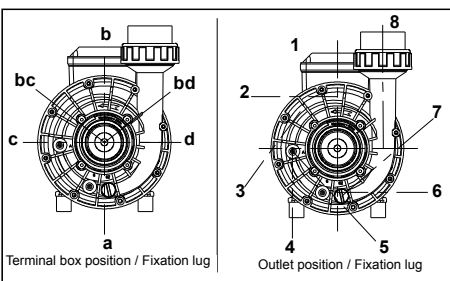
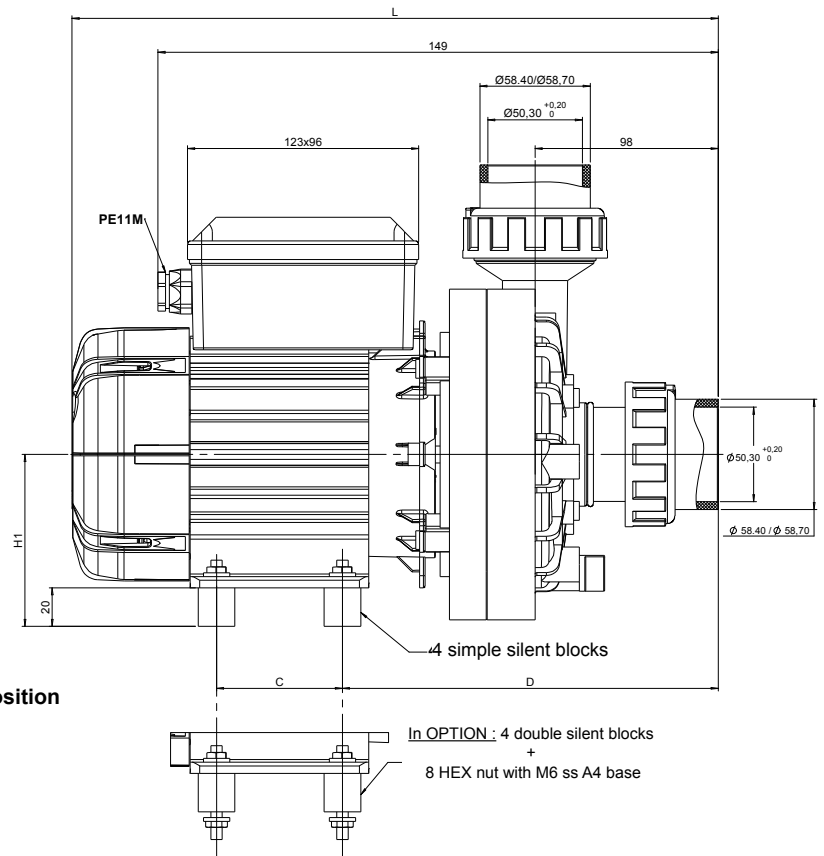
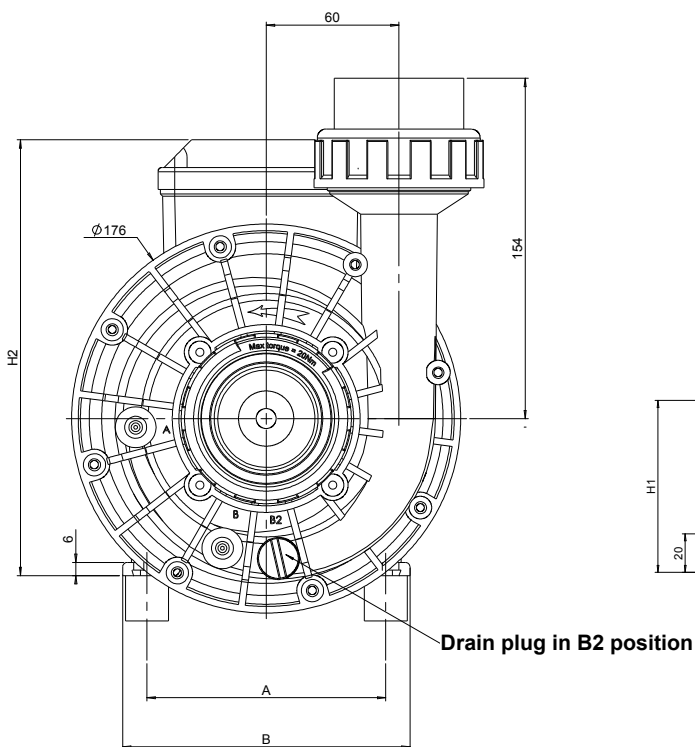
PBL - K TYPE

OPTIONS

- Available in single and three phase
- 220 V / 50 Hz - 220 V / 60 Hz - 110 V / 60 Hz
- Variable speed (MV) - 130 V / 230 V
- Pump able to operate with variable frequencies
- Pneumatic switch (CP)
- Electric cable (CE) - 0,5 / 1 / 2 / 2,5m
- 1 function electronic card for electronic control + water level sensor (1F - EL)
- 1 function electronic card for pneumatic control + water level sensor (1F - CP)
- Silent block

GENERAL

- These pump comply with the standards and directives in force :
 - EN 60 335 - 1
 - EN 60 335 - 2 - 41
 - CE
- Validated and qualified by the organisation TÜV



	L (mm)	A (mm)	B (mm)	C (mm)	D (mm)	H1 (mm)	H2 (mm)	Weight (kg)
PBL 1C250 K4B	309	108	130	32	200	91	197,5	6,6
PBL 1C270K4B	329	108	130	52	200	91	197,5	8
PBL 1C285K4B	344	108	130	67	200	91	197,5	9
PBL 1C80K1B	366	125	147	100	195	100	206,5	10