



ELECTROPUMP FOR SWIMMING-POOL FILTRATION AND MASSAGE

APPLICATIONS :

- HYDROMASSAGE PUMP FOR SPAS
- FILTRATION PUMP FOR IN GROUND AND ABOVE GROUND SWIMMING-POOLS
- PUMP ABLE TO OPERATE WITH VARIABLE FREQUENCIES

TECHNICAL FEATURES :

- PUMP BODY IN POLYPROPYLÈNE
- COMPACT

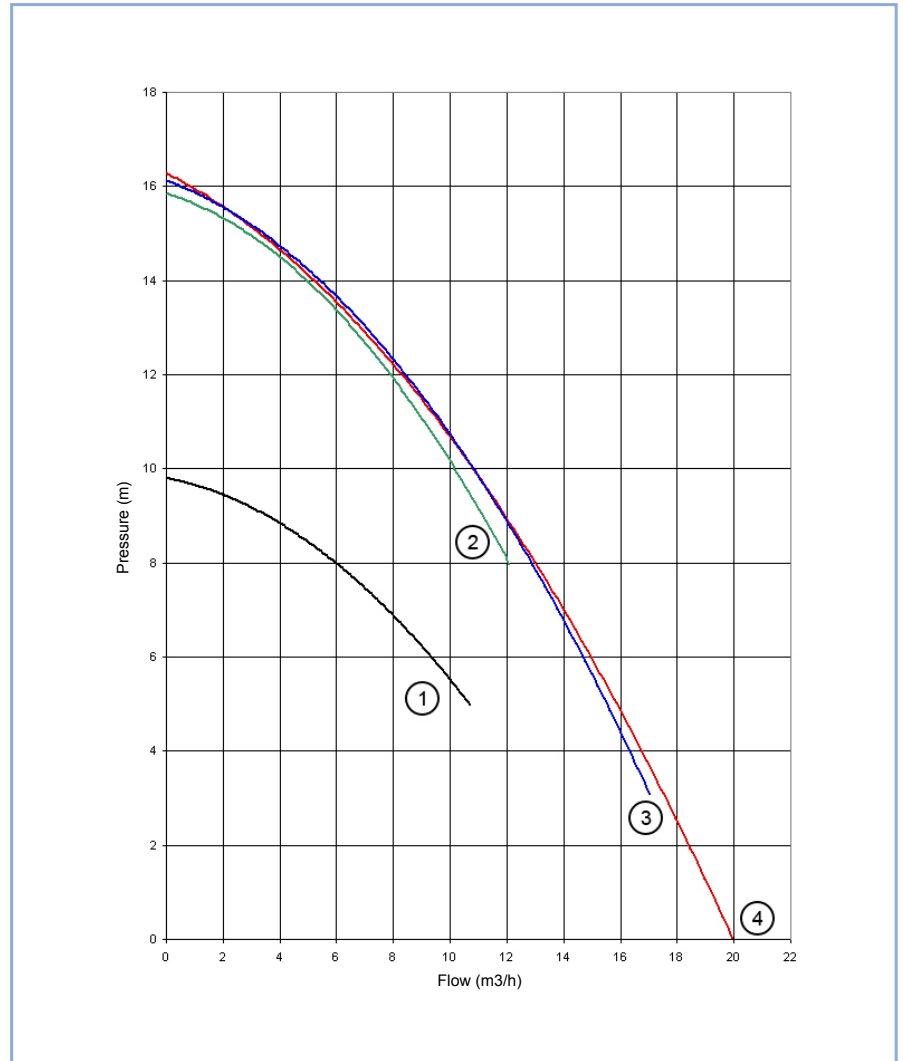
INLET :

- Ø EXTERNAL G2" 1/4 MALE
- Ø INTERNAL 48

OUTLET :

- Ø EXTERNAL G1" 1/2 MALE
- Ø INTERNAL 33
- Ø EXTERNAL G2" 1/4 MALE
- Ø INTERNAL 48

PERFORMANCE CURVES



TECHNICAL FEATURES

Curve	Single phase type	Input power (W)	Output power		H [m] (m ³ /h)	14	12	10	8	6
			Watts	HP						
1	PB I 1C 250 N4B	560	280	0,4		*	*	*	6	9
2	PB I 1C 270 N4B	900	550	0,75		5	8	10	12	*
3	PB I 1C 285 N4B	1150	780	1		6	9	11	13	15
4	PB I 1C 80 N4B	1350	900	1,2		6	9	11	13	15

* operating point proscribed

BULK DIMENSIONS

OPTIONS :

220 V / 50 Hz

220 V / 60 Hz

110 V / 60 Hz

VARIABLE SPEED (MV)

130 V / 230 V

PNEUMATIC CONTACTOR (CP)

ELECTRIC CABLE (CE)

0,5 / 1 / 2 / 2,5M

1 FONCTION ELECTRIC CARD FOR
ELECTRIC CONTROL + WATER
LEVEL SENSOR (1F-EL)

1 FONCTION ELECTRIC CARD FOR
PNEUMATIC CONTROL + WATER
LEVEL SENSOR (1F-CP)

SILENT BLOCKS

GENERAL :

THESE PUMPS COMPLY WITH THE
STANDARDS AND DIRECTIVES IN
FORCE.

CONFORM TO STANDARDS :

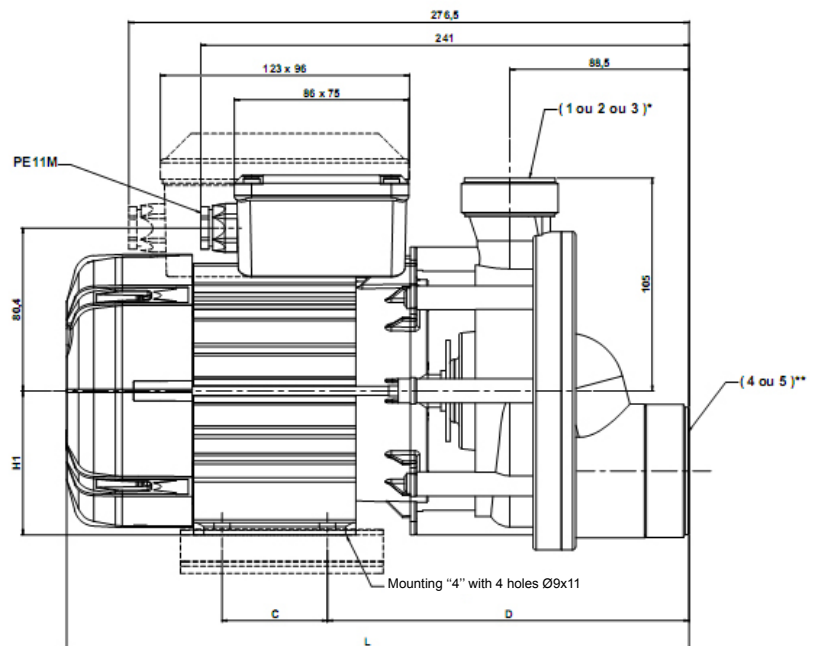
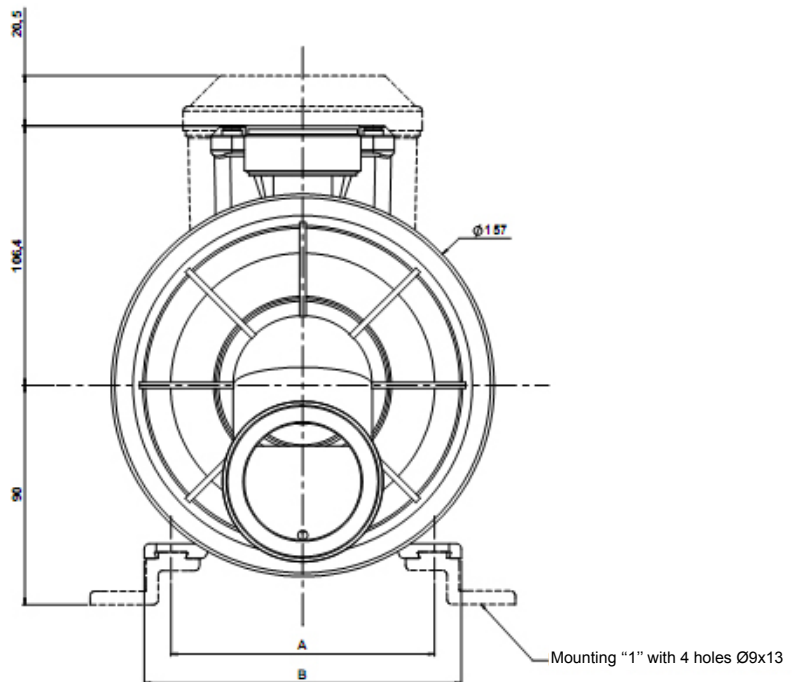
EN 60 335 - 1

EN 60 335-2 - 41

CE



VALIDATED AND QUALIFIED BY THE
ORGANISATION TÜV



	L (mm)	A (mm)	B (mm)	C (mm)	D (mm)	H1 (mm)	H2 (mm)	Weight (kg)
PBI1C250 PBI3250	287,2	108	130	32	220,5	71	178,5	6,6
PBI1C270 PBI3270	307,2	108	130	52	220,5	71	178,5	8
PBI1C285 PBI3285	322,5	108	130	67	220,5	71	178,5	9
PBI1C80 PBI 80	337,2	125	147	100	219	80	173	10