

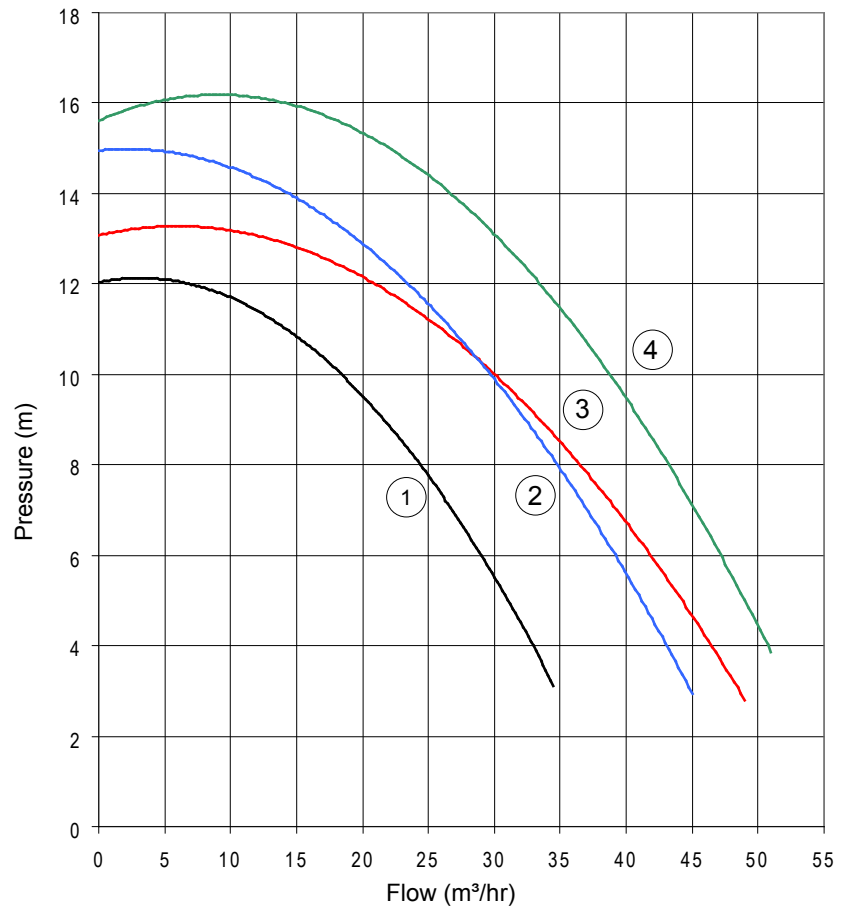
XP2e Pump

APPLICATIONS

- Hydromassage pump for spas
- Counter-swim pump for pools and spa

TECHNICAL FEATURES

- Pump body in polypropylene
- Available in single or two speed
- Continuous duty
- 230V - 50Hz
- IPX5 protection
- Class F insulation



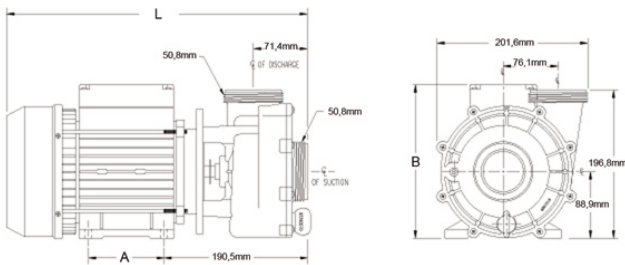
Curves	Single speed type	P1 Watt	Watt	A	H [m] (m³/h)					
					14	12	10	8	6	4
1	XP2e 1.5HP	1200	900	5.8	*	6	18.5	25	29	33
2	XP2e 2HP	1600	1200	7.4	14	25	30	34	39	43
3	XP2e 2.5HP	2000	1500	9.5	*	22	31	37	42	46.5
4	XP2e 3HP	2500	1900	11.8	27	35	38.5	43	47	51



XP2e Pump

OPTIONS

- Electric cable and connector on demand
- Union fittings Ø63mm available on demand



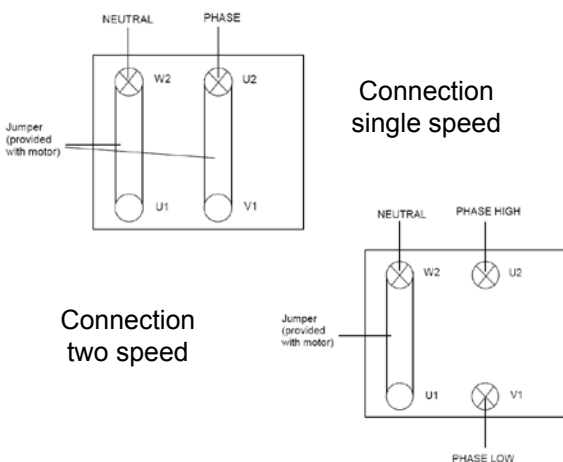
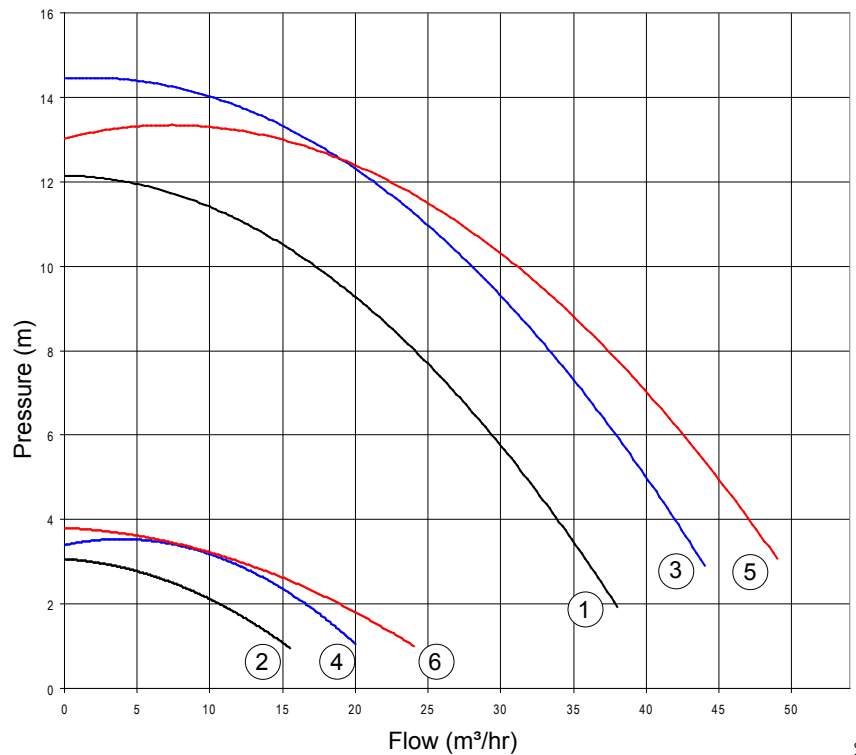
GENERALS

- Conform to standards :

EN 60 335 - 1
EN 60 335 - 2 - 41
CE

- Pumps delivered with gasket, union fittings and nuts for input and output, with union fittings Ø60mm.

	L (mm)	A (mm)	B (mm)	Weight (kg)
XP2e 1.5HP	375	100	231	12.5
XP2e 1.5HP - 2 speed	375	100	231	12.9
XP2e 2HP	375	100	231	14.2
XP2e 2HP - 2 speed	395	100	231	16.8
XP2e 2.5HP	395	100	231	16.8
XP2e 2.5HP - 2 speed	415	125	245	18.6
XP2e 3HP	415	125	245	19



Curves	Two speed type	P1 Watt	Watt	A	H [m] (m³/h)							
					12	10	8	6	4	3	2	1
1	XP2e 1.5HP GV	1200	900	5.8	6	17	24	30	33	36	*	*
2	XP2e 1.5HP PV	320	160	1.4	*	*	*	*	*	4	10	15.5
3	XP2e 2HP GV	1600	1200	8	22	28	34	38	42	44	*	*
4	XP2e 2HP PV	400	190	1.8	*	*	*	*	*	11	17	20
5	XP2e 2.5HP GV	2200	1650	10	22	32	37	43	47	49	*	*
6	XP2e 2.5HP PV	440	220	1.9	*	*	*	*	*	12	19	24