



**HIGH FLOW PUMP > 30M<sup>3</sup>/H**  
**PUMP WITHOUT WATER RETENTION**  
**ASYNCHRONOUS MOTOR**

**APPLICATIONS :**

- Chemical products
- Food-processing industry
- Water treatment

**TECHNICAL FEATURES :**

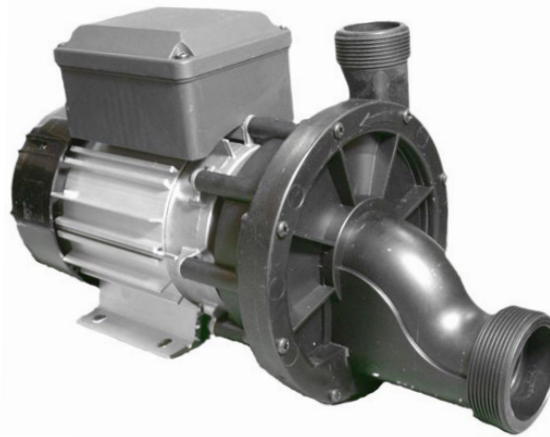
- Asynchronous motor
- Polyamide 6,6 impeller
- Pump body in polypropylene
- Nitril mechanical seal
- Deflector (motor protection in case of leak)
- 8 outlet positions
- 5 terminal box positions
- Single or three phase motor
- Class F insulation
- IP44 protection
- Operating temperature : -5°C to +90°C

**OPTIONS AVAILABLE ON DEMAND :**

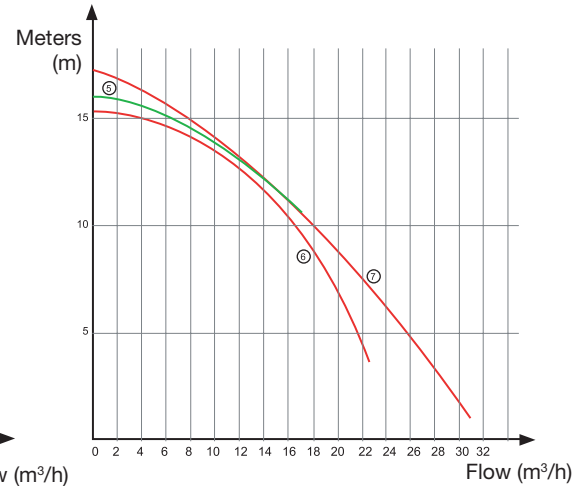
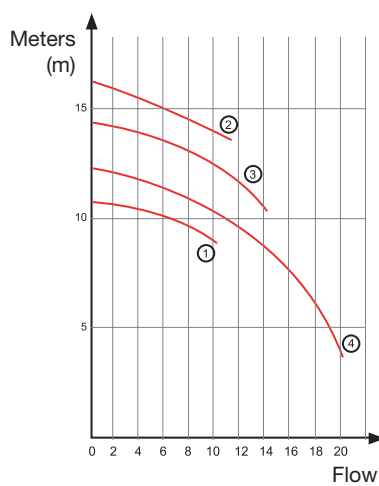
- Voltages and frequencies
- IP55 protection
- Stainless steel screws assembly
- Suction diameter (see dimensions)

**COMPLY WITH STANDARDS :**

- EN 60335-1
- EN 60335-2-41



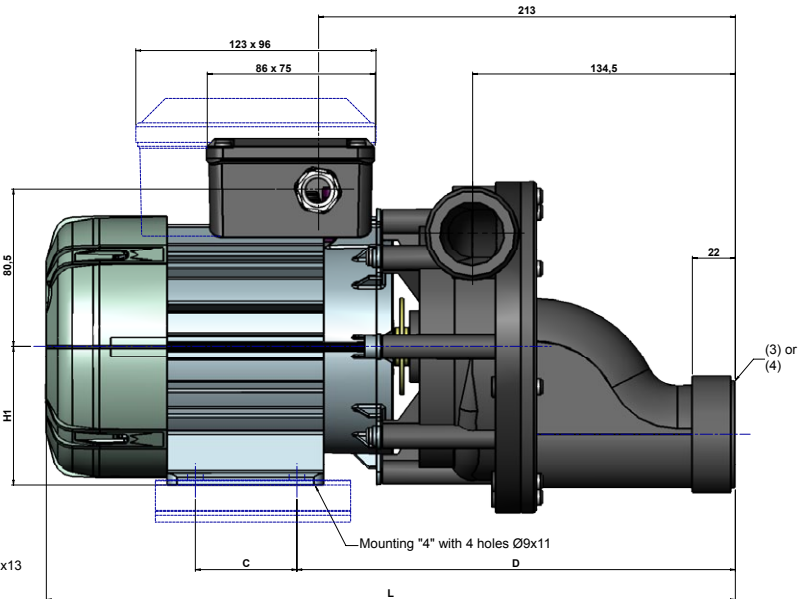
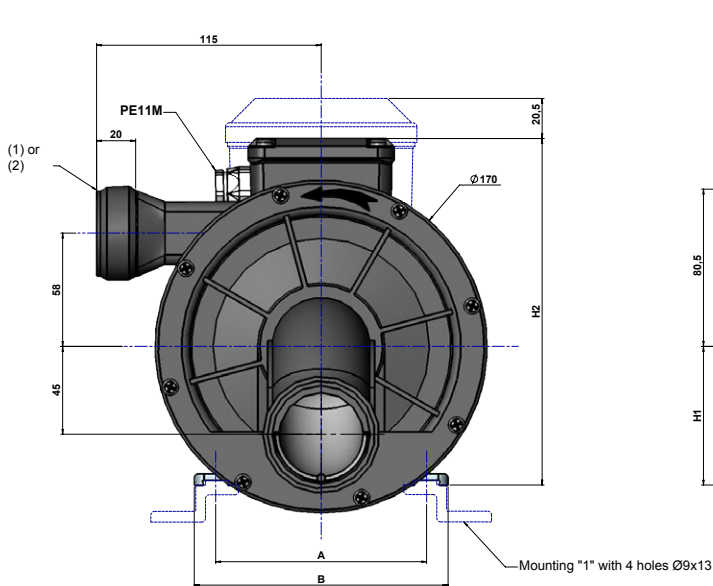
1	PB 1C 250 LB PB 3 250 LB	Impeller Ø 88
2		Impeller Ø 107
3	PB 1C 270 LB PB 3 270 LB	Impeller Ø 100
4		Impeller Ø 93
5	PB 1C 285 LB PB 3 285 LB	Impeller Ø 107
6		Impeller Ø 100
7	PB 1C 80 LB PB 3 80 LB	Impeller Ø 107



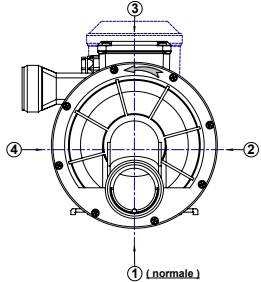
Curves	Designation	Single phase with capacitor 230V - 50Hz	Three phase 230/400V - 50Hz	Inlet power (W)	Outlet power (W)	Power supply 230V - A	Cos φ
1	PB 1C250 L4B	•		560	400	2,50	0,98
	PB 3250 L4B		•	560	400	1,85	0,75
2 - 3 - 4	PB 1C270 L4B	•		900	600	3,95	0,98
	PB 3270 L4B		•	875	600	2,95	0,74
5 - 6	PB 1C285 L4B	•		1150	810	5,10	0,98
	PB 3285 L4B		•	985	800	3,40	0,73
7	PB 1C80 L1B	•		1350	1100	6,10	0,96
	PB 80 L1B		•	1360	100	4,20	0,81



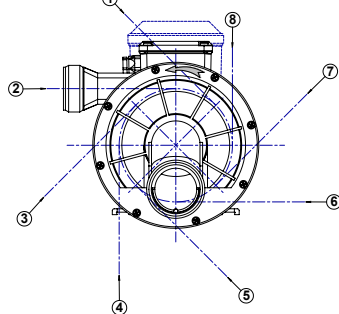
## DIMENSIONS



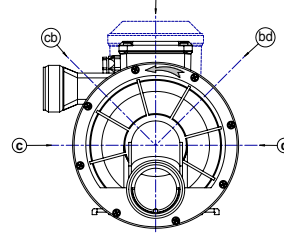
Position de la patte de fixation par rapport à l'aspiration



Outlet position in relation to the lug



Position of the terminal box in relation to the lug



Dimensions (mm)	L	A	B	C	D	H1	H2
<i>Pump</i>							
PB 1C250 PB 3250	278	108	130	32	160,5	71	177,5
PB 1C270 PB 3270	288	108	130	52	160,5	71	177,5
PB 1C285 PB 3285	301	108	130	67	160,5	71	177,5
PB 1C80 PB 80	323	125	147	100	155,5	80	186,5

**Ø Discharge :**

- (1) - Ø ext. G1½ male - Ø int. 37
- (2) - Ø ext. G2" male - Ø int. 50,2

**Ø Suction :**

- (3) - Ø ext. G2" male - Ø int. 50,2
- (4) - Ø ext. G2¼ male - Ø int. 50,2