



HIGH FLOW PUMP > 30M³/H
PUMP BODY IN POLYPROPYLENE
ASYNCHRONOUS MOTOR

APPLICATIONS :

- Chemical products
- Washing machines
- Water treatment

TECHNICAL FEATURES :

- Asynchronous motor
- Polyamide 6,6 impeller
- Pump body in polypropylene
- Nitril mechanical seal
- Deflector (motor protection in case of leak)
- 8 outlet positions
- 5 terminal box positions
- 3 drain plug positions
- Single or three phase motor
- Class F insulation
- IP44 protection
- Operating temperature : -5°C to +90°C



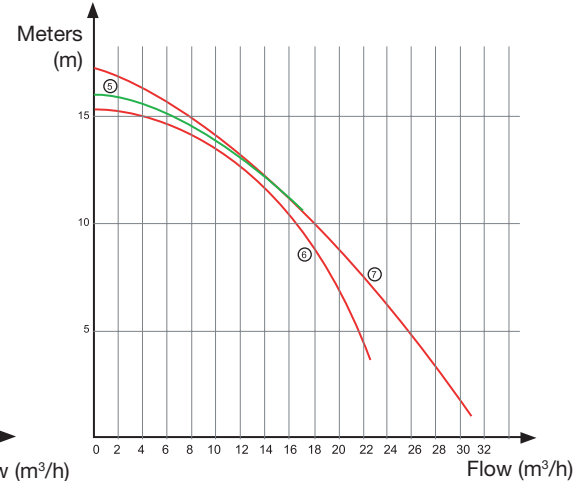
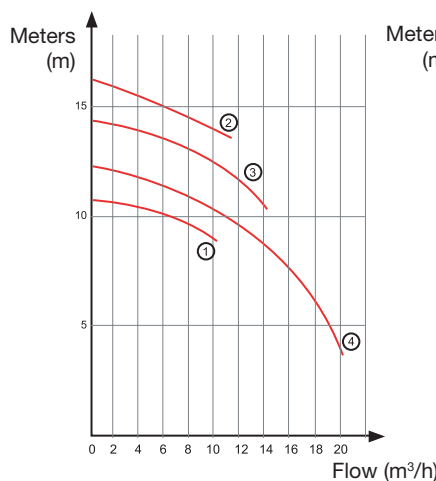
1	PB 1C 250 KB PB 3 250 KB	Impeller Ø 88
2		Impeller Ø 107
3	PB 1C 270 KB PB 3 270 KB	Impeller Ø 100
4		Impeller Ø 93
5	PB 1C 285 KB PB 3 285 KB	Impeller Ø 107
6		Impeller Ø 100
7	PB 1C 80 KB PB 3 80 KB	Impeller Ø 107

OPTIONS AVAILABLE ON DEMAND :

- Voltages and frequencies
- IP55 protection
- Stainless steel screws assembly
- Suction diameter (see dimensions)

COMPLY WITH STANDARDS :

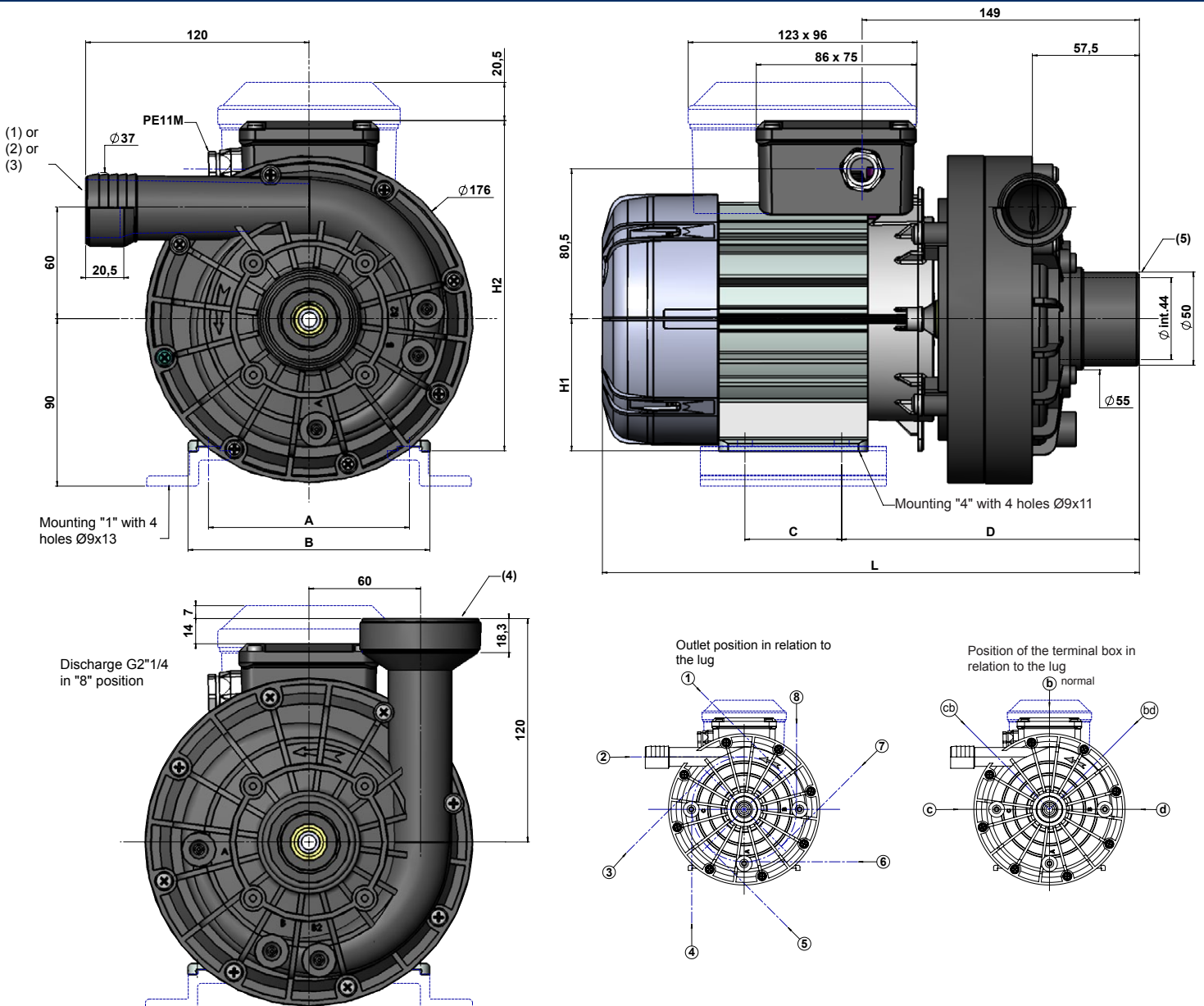
- EN 60335-1
- EN 60335-2-41



Curves	Designation	Single phase with capacitor 230V - 50Hz	Three phase 230/400V - 50Hz	Inlet power (W)	Outlet power (W)	Power supply 230V - A	Cos φ
1	PB 1C250 K4B	•		560	400	2,50	0,98
	PB 3250 K4B		•	560	400	1,85	0,75
2 - 3 - 4	PB 1C270 K4B	•		900	600	3,95	0,98
	PB 3270 K4B		•	875	600	2,95	0,74
5 - 6	PB 1C285 K4B	•		1150	810	5,10	0,98
	PB 3285 K4B		•	985	800	3,40	0,73
7	PB 1C80 K1B	•		1350	1100	6,10	0,96
	PB 80 K1B		•	1360	100	4,20	0,81



DIMENSIONS



Dimensions (mm)	L	A	B	C	D	H1	H2
<i>Pumps</i>							
PB 1C250 PB 3250	278	108	130	32	160,5	71	177,5
PB 1C270 PB 3270	288	108	130	52	160,5	71	177,5
PB 1C285 PB 3285	301	108	130	67	160,5	71	177,5
PB 1C80 PB 80	323	125	147	100	155,5	80	186,5

\varnothing Discharge :

- (1) - Ribed \varnothing ext. 37 - \varnothing int. 29,3 connection on smooth pipe
- (2) - On request : Threaded \varnothing ext. G1"1/4 male - \varnothing int. 33
- (3) - On request : Threaded \varnothing ext. G1"1/2 male - \varnothing int. 37
- (4) - On request : Threaded \varnothing ext. G2"1/4 male - \varnothing int. 50

\varnothing Suction :

- (5) - On request : Threaded \varnothing int. G1"1/2 female