



HIGH PRESSURE PUMP >2 BARS
PUMP BODY IN POLYPROPYLENE
ASYNCHRONOUS MOTOR

APPLICATIONS :

- Chemical products
- Food-processing industry
- Water treatment

TECHNICAL FEATURES :

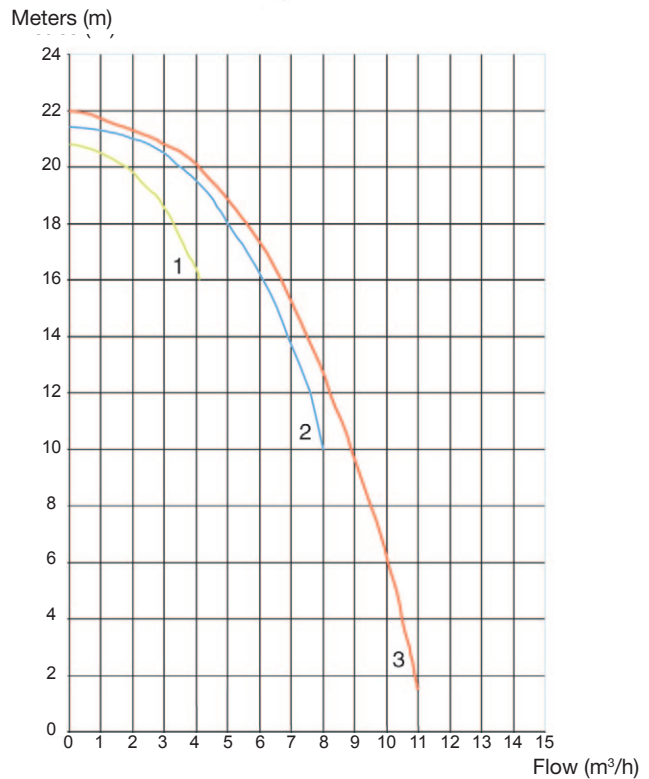
- Asynchronous motor
- Polyamide 6,6 impeller
- Pump body in polypropylene
- Nitril mechanical seal
- Deflector (motor protection in case of leak)
- 8 outlet positions
- 5 terminal box positions
- 3 drain plug positions
- Single or three phase motor
- Class F insulation
- IP44 protection
- Operating temperature : -5°C to +90°C

OPTIONS AVAILABLE ON DEMAND :

- Voltages and frequencies
- IP55 protection
- Stainless steel screws assembly
- Suction diameter (see dimensions)

COMPLY WITH STANDARDS :

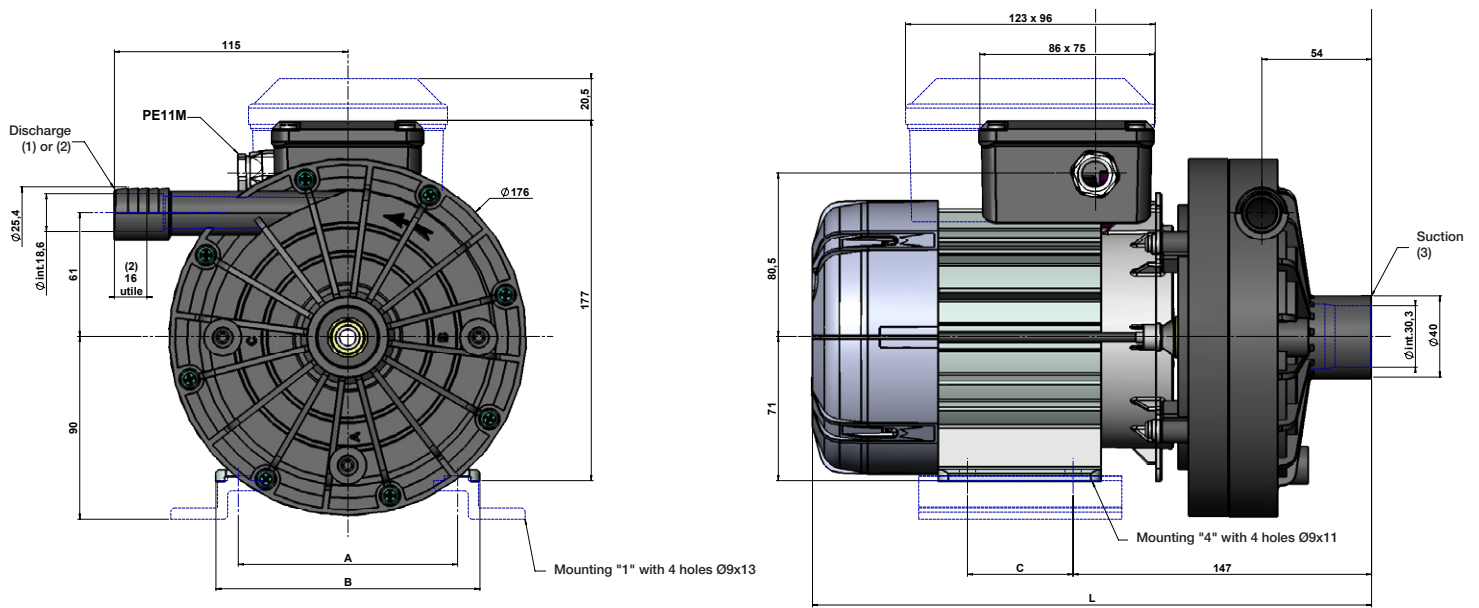
- EN 60335-1
- EN 60335-2-41



Curves	Designation	Single phase with capacitor 230V - 50Hz	Three phase 230/400V - 50Hz	Inlet power (W)	Outlet power (W)	Power supply 230V - A	Cos φ
1	PB 1C250 H4B	•		560	400	2,50	0,98
	PB 3250 H4B		•	560	400	1,85	0,75
2	PB 1C270 H4B	•		900	600	3,95	0,98
	PB 3270 H4B		•	875	600	2,95	0,74
3	PB 1C285 H4B	•		1150	810	5,10	0,98
	PB 3285 H4B		•	985	800	3,40	0,73



DIMENSIONS



Ø Discharge :

- (1) - Connection on smooth pipe
- (2) - On request : threaded Ø ext. G $\frac{3}{4}$ " male

Ø Suction :

- (3) - On request : threaded Ø int. G1" female

Dimensions (mm)	L	A	B	C
Pumps				
PB 1C250 PB 3250	255	108	130	32
PB 1C270 PB 3270	275	108	130	52
PB 1C285 PB 3285	290	108	130	67

