



ABOVE-GROUND POOL COVER MOTORIZATION

LIMIT SWITCH AUTOMATIC MANAGEMENT

TECHNICAL FEATURES :

- 24 Vdc motor
- U-shaped clamp
- Flexible cable multi-wire
- IPX5 Waterproofness class
- Limit switch electronic manage
- initialization button (to connect)
- Solar supply in option

- 2 motorizations :
 - 120 Nm = 3,0 tr/min
 - 200 Nm = 4,0 tr/min

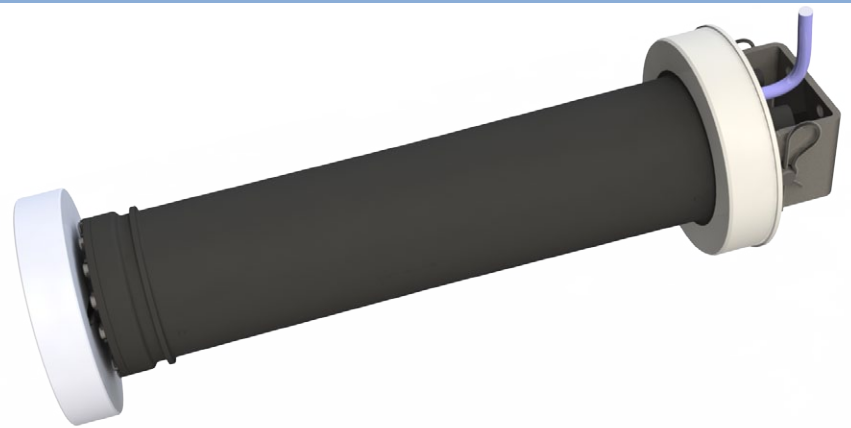
HOW TO INITIALIZE THE LIMIT SWITCH :

1. Closed cover position : Press on the init button during 3 seconds minimum.
2. Put the cover in open position.
3. Release the key : The initialization is done.

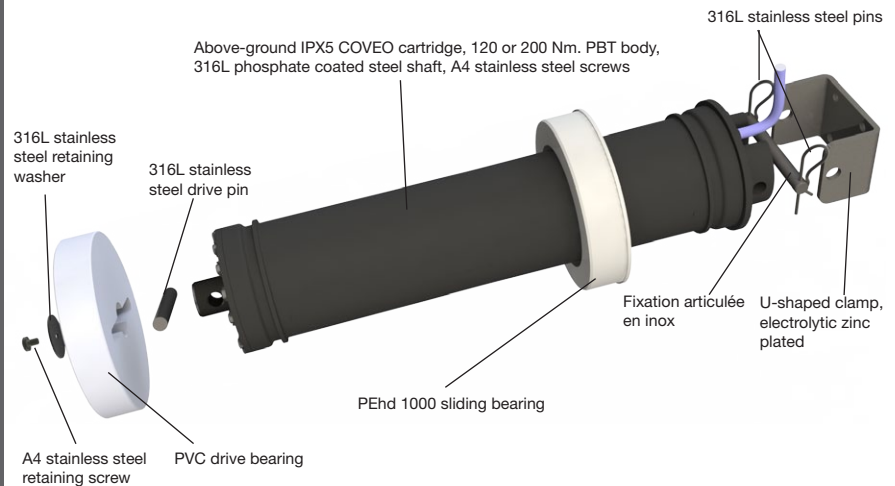
COMPLY WITH STANDARDS :

Attempt	Standard rules
Discharge Immunity to ESD	EN 61000-4-2
Immunity to radiated electrostatic fields, level 3	EN 61000-4-3
Immunity to fast transients (burst immunity), level 3	EN 61000-4-4
Immunity to shock waves	EN 61000-4-5
Radio frequency in common mode	EN 61000-4-6
Conducted emissions	EN 55014-1
Electrical safety	EN 60335-1

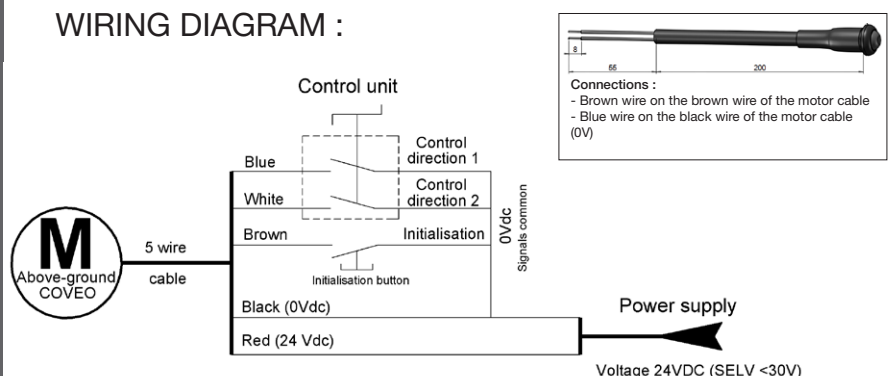
These standards comply with the French rules of the NPF 90308 standards



MODULAR PRODUCT :



WIRING DIAGRAM :



TECHNICAL FEATURES

Features		120 N.m motor	200 N.m motor
Reduction ratio		1/886	1/630
Input power of the power supply SIREM box		24 Vdc	24 Vdc
Consumption at max. torque ($\pm 20\%$)		5 A	9 A
Service : for the automatic cover roller, max three successive cycles			
Max torque		120 N.m	200 N.m
Speed ($\pm 20\%$)	off load	5,5 RPM	6,5 RPM
	at maximal torque	3,0 RPM	4,0 RPM
End shaft		Phosphate coated steel and oiled (hold 96h in neutral salt fog)	
Material	Cartridge	PBT	
Control		Rev counter board, activated by the signals on the blue or white wires	
Magnetic brake (auto unlocking)		120N.m mini	200N.m mini
Flexible cable	Diameter	$\varnothing 9 \pm 0,5$ mm	$\varnothing 9 \pm 0,5$ mm
	Composition	2x1,5mm ² + 3x0,5mm ²	2x1,5mm ² + 3x0,5mm ²
	Waterproofing (NFC15-100)	AD8	AD8
Max. permissible load on the motorization		6.000 N	
Conditions of use	Period of use	\approx 6 months / year	\approx 6 months / year
	Number of cycles/day	2	2
	Max pool length in shaft revs	12 shaft revs	15 shaft revs
	Operating water T°	0°C to +50°C	0°C to +50°C

DIMENSIONS

