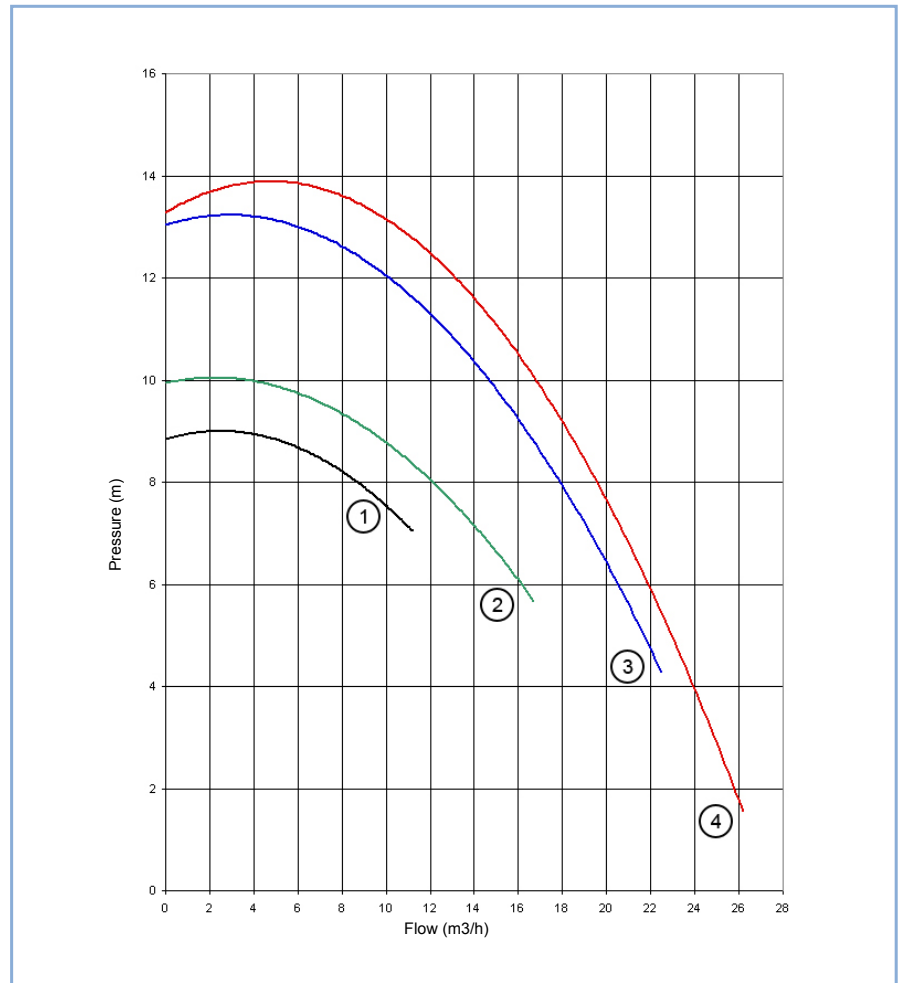




### ELECTROPUMP FOR SWIMMING-POOL FILTRATION AND MASSAGE

#### PERFORMANCE CURVES



#### APPLICATIONS :

- HYDROMASSAGE PUMP FOR SPAS
- FILTRATION PUMP FOR IN GROUND AND ABOVE GROUND SWIMMING-POOLS
- PUMP ABLE TO OPERATE WITH VARIABLE FREQUENCIES

#### TECHNICAL FEATURES :

- PUMP BODY IN POLYPROPYLENE
- AVAILABLE IN SINGLE PHASE AND THREE PHASE

#### INLET :

- TAPPED (PLEASE SPECIFY)
- 2" 1/4 CENTRAL

#### OUTLET :

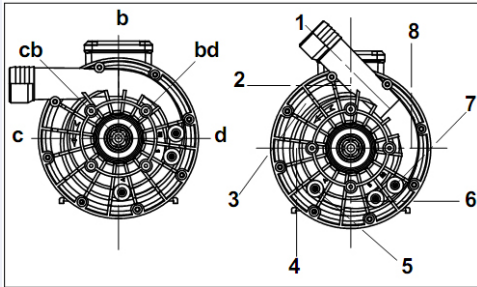
- GROOVED OR THREADED (PLEASE SPECIFY)
- 1" 1/2 OR 2" 1/4 OR 1" 1/4\*
- 3 POSITIONS DRAIN

#### TECHNICAL FEATURES

Curve	Single phase type	Input power (W)	Output power		H [m] (m <sup>3</sup> /h)	12	10	8	6
			Watts	HP					
1	PB I 1C 250 K4B	560	305	0,4		*	*	9	*
2	PB I 1C 270 K4B	900	730	1		*	4	12	16
3	PB I 1C 285 K4B	1150	975	1,3		10	15	18	21
4	PB I 1C 80 K1B	1350	1200	1,6		13	17	19	22

\* operating point proscribed

## BULK DIMENSIONS



### OPTIONS :

220 V / 50 Hz  
220 V / 60 Hz  
110 V / 60 Hz

VARIABLE SPEED (MV)  
130 V / 230 V

PNEUMATIC CONTACTOR (CP)

ELECTRIC CABLE (CE)  
0,5 / 1 / 2 / 2,5M

1 FONCTION ELECTRIC CARD FOR  
ELECTRIC CONTROL + WATER  
LEVEL SENSOR (1F - EL)

1 FONCTION ELECTRIC CARD FOR  
PNEUMATIC CONTROL + WATER  
LEVEL SENSOR (1F - CP)

SILENT BLOCK

### GENERAL :

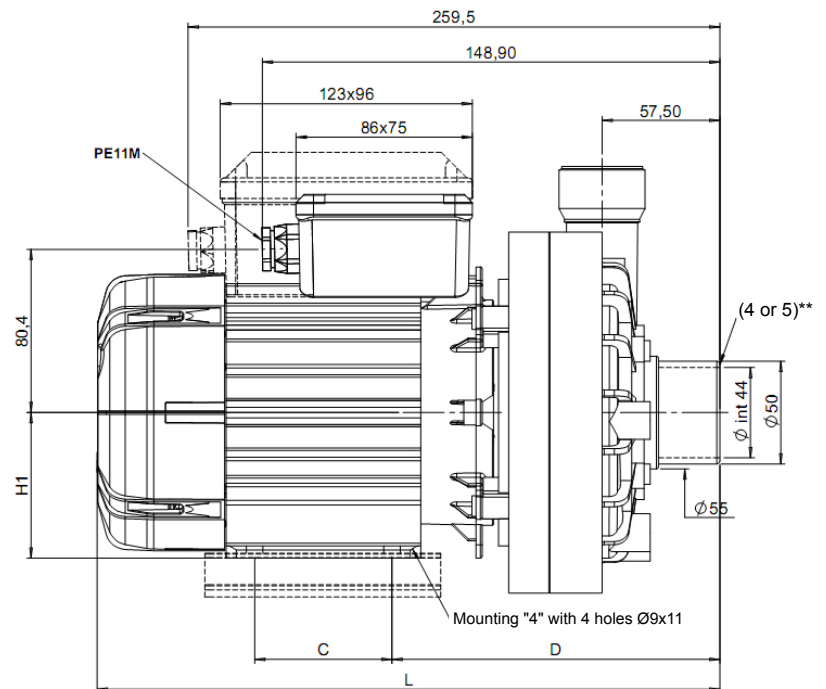
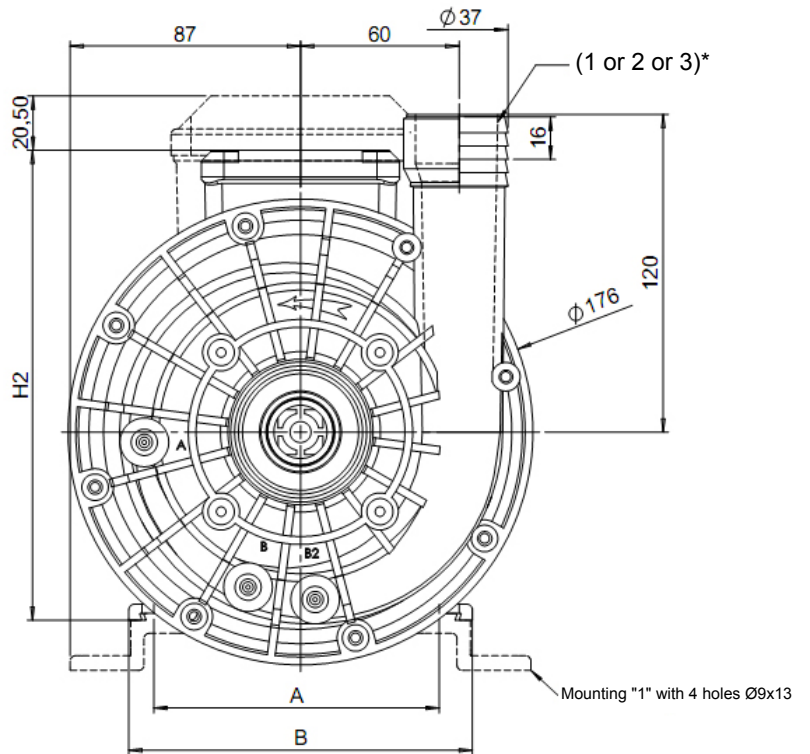
THESE PUMPS COMPLY WITH THE  
STANDARDS AND DIRECTIVES IN  
FORCE.

CONFORM TO STANDARDS :

EN 60 335 - 1  
EN 60 335 - 2 - 41  
CE



VALIDATED AND QUALIFIED BY THE  
ORGANISATION TÜV



	L (mm)	A (mm)	B (mm)	C (mm)	D (mm)	H1 (mm)	H2 (mm)	Weight (kg)
PBI1C250 PBI3250	278	108	130	32	160,5	71	177,5	6,6
PBI1C270 PBI3270	288	108	130	52	160,5	71	177,5	8
PBI1C285 PBI3285	301	108	130	67	160,5	71	177,5	9
PBI1C80 PBI 80	323	125	147	100	155,5	80	186,5	10